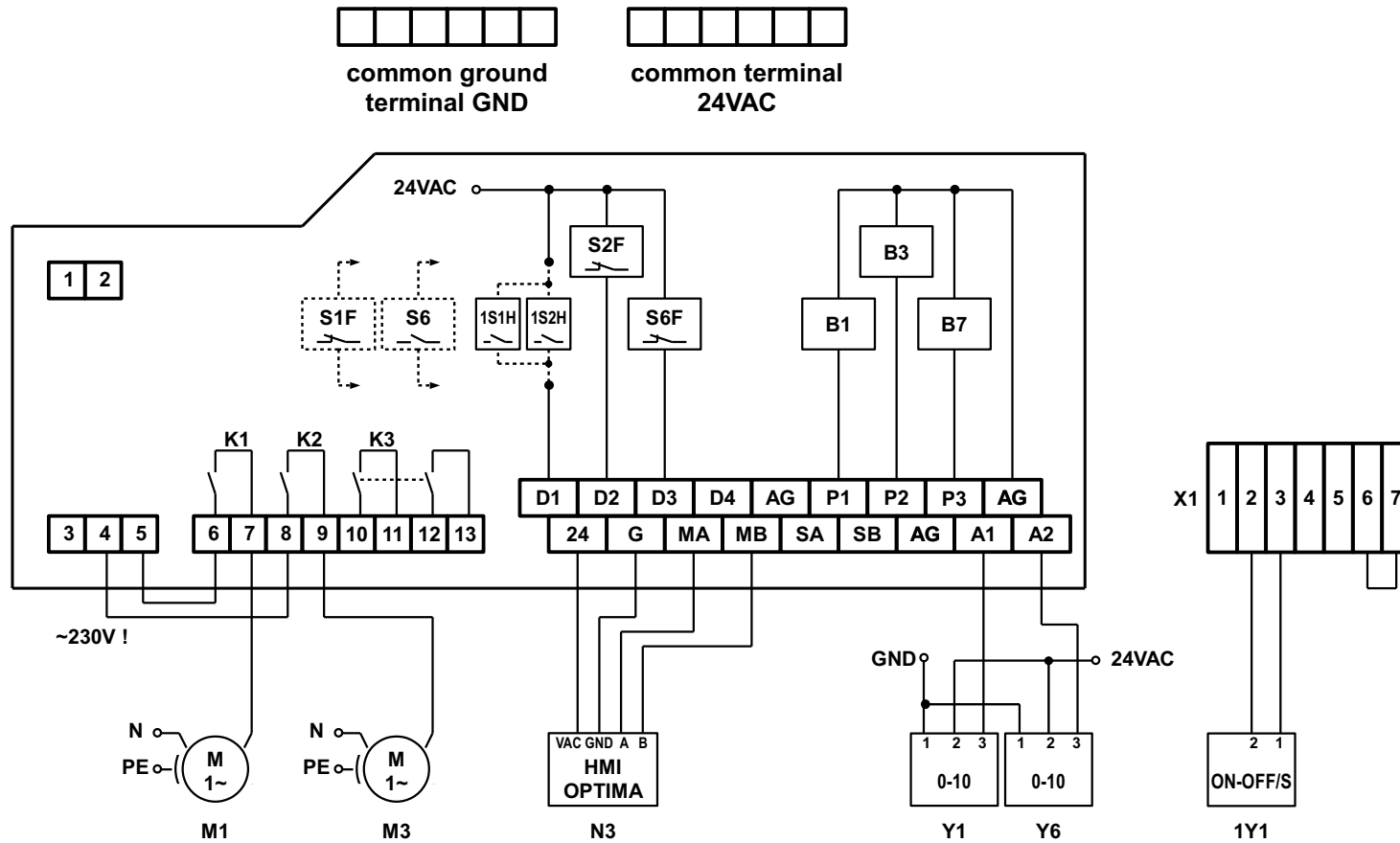


B

APPLICATION: NS257-S / NS257-R

NVS 23 CG OPTIMA SUP
NVS 39 CG OPTIMA SUP
NVS 65 CG OPTIMA SUP
NVS 80 CG OPTIMA SUP



B**APPLICATION: NS257-S / NS257-R**

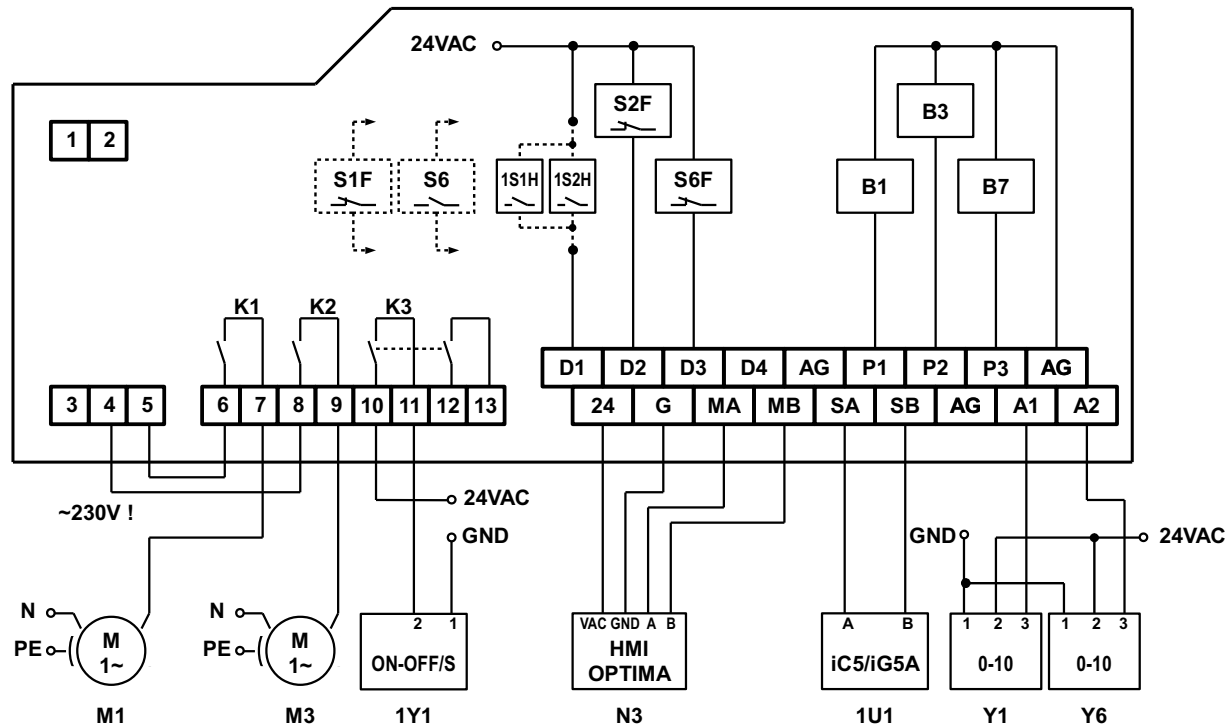
VS 10-75 CG OPTIMA
 VS 40-150 CG OPTIMA SUP



common ground
terminal GND



common terminal
24VAC



B

VS 10-75 CG OPTIMA
VS 40-150 CG OPTIMA SUP
VS 40-150 CG OPTIMA SUP-EXH

RS485 / Modbus connection details

